



Zimmerman

SS1000
1" STANDING SEAM PANEL



**Underwriters
Laboratories Inc.®**
A Century Of Public Safety



the standard in safety

Underwriters
Laboratories

File R18721
Project 11NK13965

October 12, 2011

REPORT

on

Metal Roof Deck Panels
For
Wind Uplift Resistance

Under The

CLASSIFICATION PROGRAM

ZIMMERMAN METALS INC.
DENVER, CO

Copyright© 2011 Underwriters Laboratories Inc.

Underwriters Laboratories Inc. authorizes the above named company
to reproduce this Report provided it is reproduced in its entirety.

DESCRIPTION

PRODUCT COVERED:

The products covered by this Report are metal roof deck panels designated "SS1000".

The products in this Report are Classified as to uplift resistance only.

USE:

The products are intended for use as building materials as permitted by authorities having jurisdiction.

TEST RECORD NO. 1

SAMPLE:

Classified metal roof deck panels designated "SS1000" panels.

STUDY FOR CLASSIFICATION PURPOSES:

Testing of the metal roof deck panels designated "SS1000", for use in Uplift Resistance was not considered necessary based upon previous test experience on similar products as documented internally in Test Reference No. 1.

TEST RECORD 1 SUMMARY:

The results of this investigation indicate that the metal panels evaluated in this test record comply with applicable requirements, and therefore, are judged to be eligible for Classification under the Laboratories product categories of Uplift Resistance (TJPV).

Standard	Title	Edition or Publication Date	Latest Revision Date
UL 580	Tests for Uplift Resistance of Roof Assemblies	Fifth	November 2, 2006

The Classification Mark for the TJPV category (UL 580) to be used on the "SS1000" panels is illustrated below:

METAL ROOF DECK PANELS
AS TO UPLIFT RESISTANCE
CLASS 90
AS SHOWN BY CONSTRUCTION NO. 602
SEE UL ROOFING MATERIALS AND SYSTEMS DIRECTORY

Test Record 1 By:



JUDITH G. MARZULLO

Lead Engineering Associate

Fire Protection Division

Reviewed by:



KENNETH RHODES

Senior Staff Engineer

Fire Protection Division

CONCLUSION:

Samples of the products covered by this Report have been found to comply with the requirements covering the category and the products are found to comply with UL's applicable requirements. The description and test result in this Report are only applicable to the samples investigated by UL and does not signify the products described as being covered under UL's Follow-Up Service Program. When covered under UL's Follow-Up Service Program, the manufacturer is authorized to use the UL Classification Mark on such products which comply with UL's Follow-Up Service Procedure and any other application requirements of Underwriters Laboratories Inc. The Classification Mark of Underwriters Laboratories Inc. on the product, or the UL symbol on the product and the Classification Mark on the smallest unit container in which the product is packaged, is the only method to identify products investigated by UL to published requirements and manufactured under UL's Classification and Follow-Up Service.

This Report is intended solely for the use of UL and the Applicant for establishment of UL certification coverage of the product under UL's Follow-Up Service. UL retains all rights, title and interest (including exclusive ownership) in this Report and all copyright therein. Unless expressly authorized in writing by UL, the Applicant shall not disclose or otherwise distribute this Report or its contents to any third party or use this Report for any purpose other than to establish UL certification and become eligible for Follow-Up Service for the product(s) described in this Report. Any other use of this Report including without limitation, evaluation or certification by a party other than UL unless part of a certification scheme, is prohibited and renders the Report null and void. UL shall not incur any obligation or liability for any loss, expense, or punitive damages, arising out of or in connection with the use or reliance upon the contents of this Report to anyone other than the Applicant as provided in the agreement between UL and Applicant. Any use or reference to UL's name or certification mark(s) by anyone other than the Applicant in accordance with the agreement is prohibited without the express written approval of UL. UL shall not otherwise be responsible to anyone for the use of or reliance upon the contents of this Report.

Report by:



JUDITH G. MARZULLO
Lead Engineering Associate
Fire Protection Division

Reviewed by:



KENNETH RHODES
Senior Staff Engineer
Fire Protection Division

DESCRIPTION

PRODUCT COVERED:

This section of the Procedure covers coated steel roof panels, which are identified by the manufacturer as "SS1000", 1 in. high panels.

The panels are roll-formed from 24 MSG or heavier gauge steel to the configuration shown in Ill. 1.

The panels may also have a paint finish over the coating.

SPECIFICATIONS OF FINISHED PRODUCT:

THICKNESS

The base metal thickness of the steel used in the fabrication of the panels shall be not less than 0.0172 in. (24 MSG min). This thickness shall not include any coating or paint finish.

DIMENSIONS

The cross sectional dimensions of the finished panel shall be in accordance with the cross section in Ill. 1.

The panels are made in any convenient length.

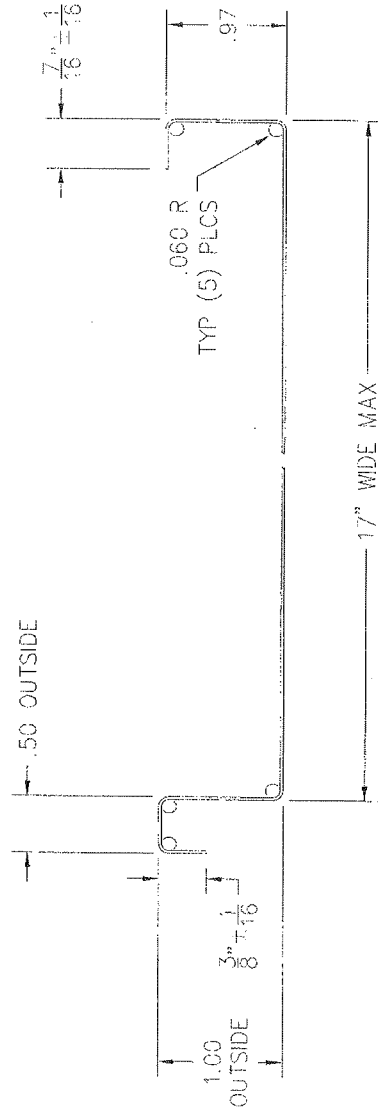
STRENGTH

The strength records of the steel shall be reviewed. The steel shall conform to Grade D Specifications (ASTM A792 designation) or the minimum yield point shall be 50,000 psi.

MODEL SS1000 1" STANDING SEAM

24 Gage Steel, 50 KSI MIN YIELD

NOTE: DIMENSIONS ±10% U.N.D.



ZIMMERMAN METALS INC.		201 E 58th AVE. DENVER, CO 80016 (303) 294-0180	
TITLE	1" STANDING SEAM PROFILE	TOLERANCES UNLESS OTHERWISE SPECIFIED	2° ANGLE PER 1"
MACH. MOD. NO.		XX = ±.005 FRACTION = 1/32"	Ø = HOLE
DRAWING NO.	SS1000	XXX = ±.010 ANGLES = ±"	BREAK ALL UNMARKED CORNERS
NOTES:		PROPERTY INFORMATION NOTICE	
SCALE: 1" = 1"		THIS DOCUMENT CONTAINS PROPRIETARY & CONFIDENTIAL INFORMATION AND IS THE PROPERTY OF ZIMMERMAN METALS INC. ANY REPRODUCTION OR DISSEMINATION OF THIS DOCUMENT WITHOUT PRIOR WRITTEN PERMISSION OF ZIMMERMAN METALS INC. OF DENVER, CO.	
DRAWN BY		DATE	
APPROVED BY		DATE	
MATERIAL: 24 gage Steel			

C111194482



**Construction No. 602
TGKX.602
Roof Deck Constructions**

[Page Bottom](#)

Design/System/Construction/Assembly Usage Disclaimer

- Authorities Having Jurisdiction should be consulted in all cases as to the particular requirements covering the installation and use of UL Listed or Classified products, equipment, system, devices, and materials.
 - Authorities Having Jurisdiction should be consulted before construction.
 - Fire resistance assemblies and products are developed by the design submitter and have been investigated by UL for compliance with applicable requirements. The published information cannot always address every construction nuance encountered in the field.
 - When field issues arise, it is recommended the first contact for assistance be the technical service staff provided by the product manufacturer noted for the design. Users of fire resistance assemblies are advised to consult the general Guide Information for each product category and each group of assemblies. The Guide Information includes specifics concerning alternate materials and alternate methods of construction.
 - Only products which bear UL's Mark are considered as Classified, Listed, or Recognized.
-

Roof Deck Constructions

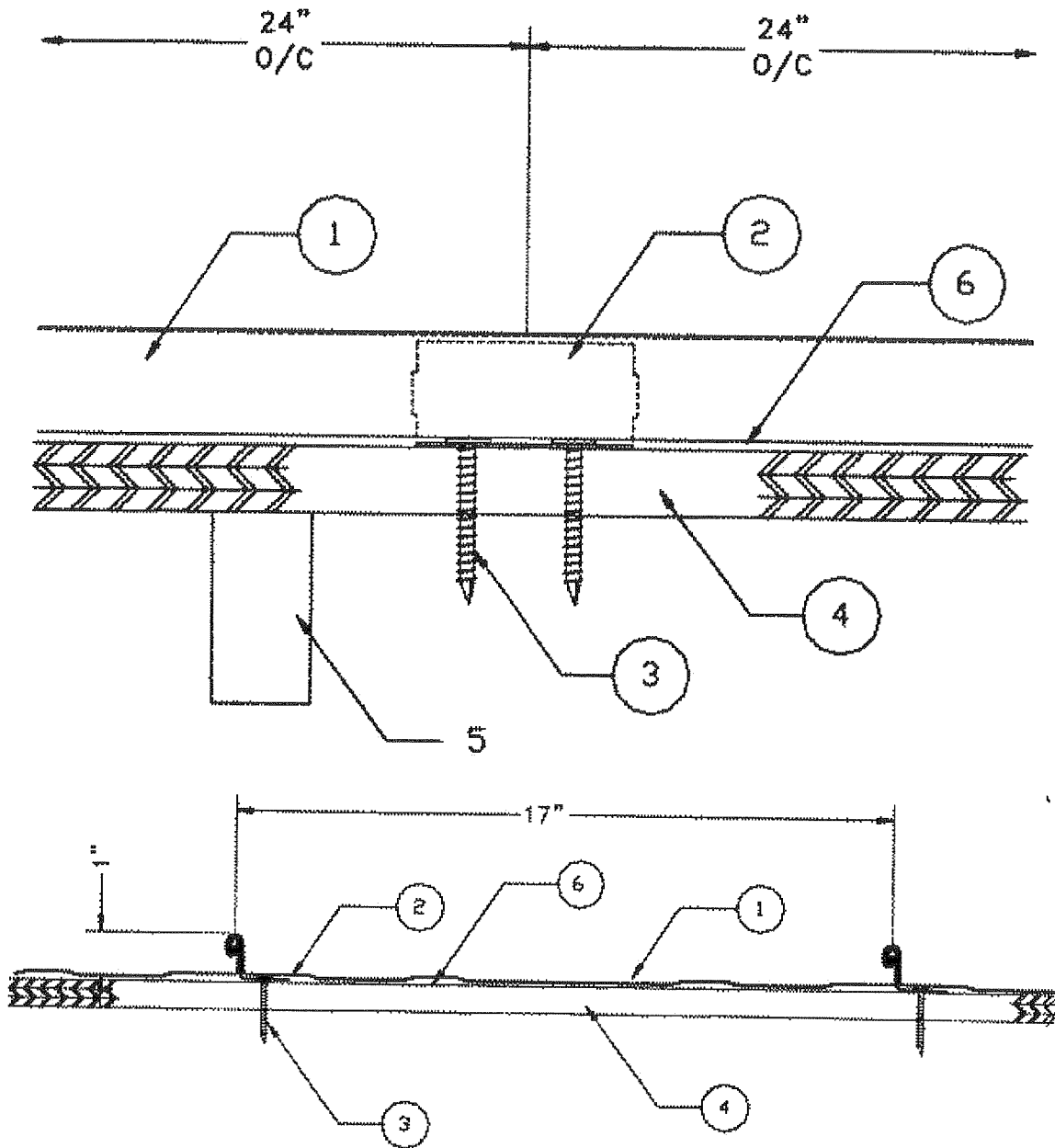
[See General Information for Roof Deck Constructions](#)

Construction No. 602

October 14, 2011

Uplift – Class 90

Fire Not Investigated



1. **Metal Roof Deck Panels*** — Min. 24 MSG (0.0225 in.) thick coated steel; width 17 in. max., height of female rib 1 in., male rib 1 in. Panels continuous over three or more clips with no end-laps. A bead of sealant may be used at panel ribs. Panel ribs seamed with an electric seamer with seaming operation to include upper portion of panel clip (Item 2).

ADMIRAL BUILDING PRODUCTS INC ([View Classification](#)) — "Admiral Mechanical Lock 1" High Standing Seam"

AMERICAN CONSTRUCTION METALS ([View Classification](#)) — "MechLOC"

BRIDGER STEEL ([View Classification](#)) — "SS-15"

CENTRAL TEXAS METAL ROLLFORMING INC ([View Classification](#)) — "SPANLOC 100"

EAST TEXAS ARCHITECTURAL SHEETMETAL L

L C, DBA ETAS INC ([View Classification](#)) — "DOUBLE STANDING SEAM 1 in."

INTEGRIS METALS INC ([View Classification](#)) — "Integris 1 in. System 3"

METAL FORMING INC ([View Classification](#)) — "1 in. Mechanical Lock"

MID-SOUTH METAL PRODUCTS ([View Classification](#)) — "MSMP 1 in. Mechanical Lock"

SAN ANTONIO QUALITY METALS ([View Classification](#)) — "ML-100"

SHEET METAL WORKS OF ARIZONA ([View Classification](#)) — "MS100"

ZIMMERMAN METALS INC ([View Classification](#)) — "SS1000"

2. **Roof Deck Fasteners* (Panel Clips)** — One part assembly, 2 in. wide and approximately 1-1/4 in. high with a 15/16 in. wide horizontal leg having an opposing leg approximately 1/2 in. wide. Clips are to be spaced 24 in. OC max.

METAL FORMING INC ([View Classification](#)) — "1000FC"

3. **Panel Fasteners (Screws)** — Fasteners used to attach the panel clips to the plywood deck to be No. 10-12 by 1 in. long, No. 2 Phillips Drive, wafer-head, plated steel, wood screws. Two screws used per clip.

4. **Plywood Deck** — Nominal 5/8 in. (19/32 in. actual) plywood, Grade C-D, APA rated. Fastened to supports (joists) using No. 8 by 2-1/2 in. long, No. 2 Phillips Drive, coarse thread, bugle head, steel screws. Spaced 6 in. OC max. at the butt ends and 12 in. OC max. in the field. All joints to be sealed with a one part urethane sealant feathered out from the joint.

5. **Joists** — Graded dimensional lumber, No. 2 or better. Spaced 24 in. OC max.

6. **Ply Sheet*** — Any UL Classified underlayment, min. 2 in. sidelap, mechanically fastened.

7. **Joist Hangers** — (Not Shown) - No. 18 MSG coated steel, open seat type.

Refer to general information, Roof Deck Construction, for Items not evaluated.

*Bearing the UL Classification Mark

Last Updated on 2011-10-14

[Questions?](#)

[Print this page](#)

[Notice of Disclaimer](#)

[Page Top](#)

© 2012 UL LLC

The appearance of a company's name or product in this database does not in itself assure that products so identified have been manufactured under UL's Follow-Up Service. Only those products bearing the UL Mark should be considered to be Listed and covered under UL's Follow-Up Service. Always look for the Mark on the product.

UL permits the reproduction of the material contained in the Online Certification Directory subject to the following conditions: 1. The Guide Information, Designs and/or Listings (files) must be presented in their entirety and in a non-misleading manner, without any manipulation of the data (or drawings). 2. The statement "Reprinted from the Online Certifications Directory with permission from UL" must appear adjacent to the extracted material. In addition, the reprinted material must include a copyright notice in the following format: "© 2012 UL LLC".